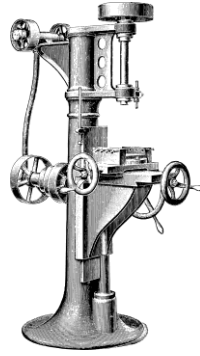


Versatile Wood Products

Standard Door Specifications



These standard specifications will be used for all Versatile Wood Products door orders unless requested otherwise on the door specification worksheet.

Sticking/Glazing Bead Profile: Ovolo

- Ogee and square available upon request

Lock Prep: 2 1/8" face bore, 2 3/8" backset, 1" edge bore with matching edge prep

Deadbolt Prep: Matching bore 5 1/2" above lock prep

Jamb Prep: 2 1/4" full-lip strike

Jamb Material: Solid hemlock

- Solid Fir, veneered fir, rot resistant, composite and other species available upon request

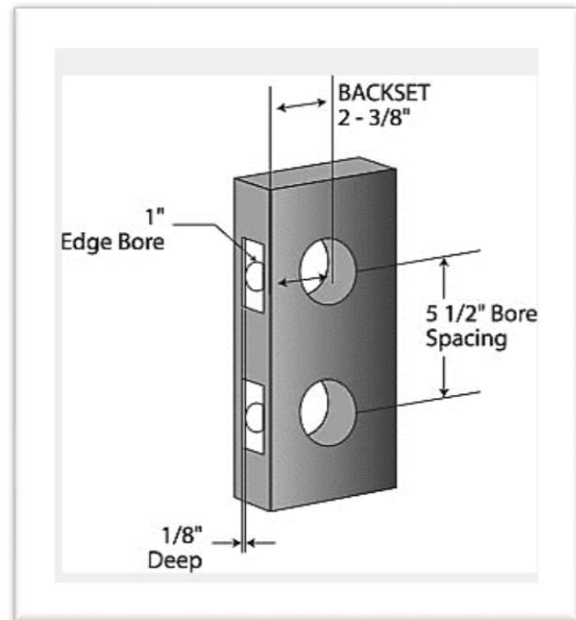
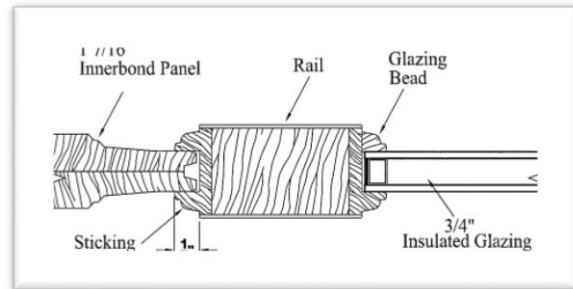
Hinge Material: Plated steel

- Solid brass and/or stainless steel available upon request
- Unless otherwise noted all hinges are Architectural grade - i.e. heavy duty with square corners
- Light duty radius corner hinges available upon request

Interior Hinges: 3_1/2" x 3_1/2"

Exterior Hinges: 4" x 4"

- 4_1/2" commercial ball bearing available upon request



(over)

VERSATILE

WOOD PRODUCTS

2303 N Randolph Ave
Portland OR 97227

503.238.6403 | WWW.VERSATILEWP.COM

Weather-strip: Bronze Q-Lon foam-filled vinyl

- Smaller silicone bulb weather-strip in either white or brown available upon request

Threshold: Aluminum finished in either mill (silver), bronze, or bright brass

- Solid bronze thresholds available upon request

Location & Overhang Requirements:

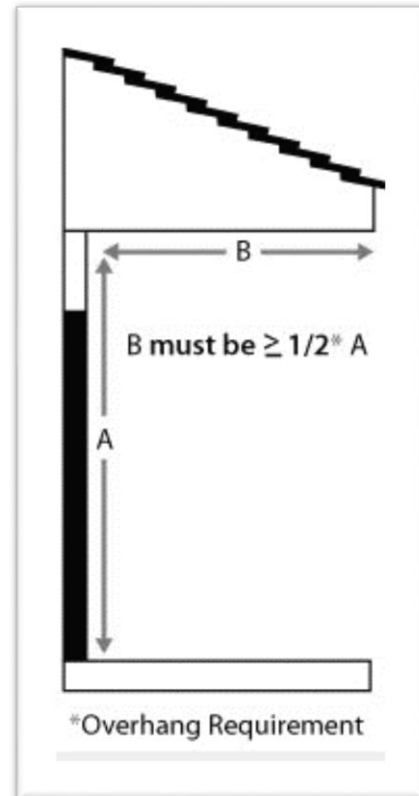
All exterior doors require weather protection, out-swing exterior doors may require head flashing.

For best performance and to meet standard warranty requirements, any exterior door should be installed under an overhang or with sufficient protection.

Adequate overhang depends on typical weather conditions of the area where the door is installed.

At the minimum this means an overhang projecting a distance from the structure equal to one half the distance between the bottom of the door and the bottom of the overhang.

Please let us know if you have any questions about these standard specifications. We are happy to customize to meet your unique project challenges. Questions? quotes@arciform.com.



VERSATILE

WOOD PRODUCTS

2303 N Randolph Ave
Portland OR 97227

503.238.6403 | www.VERSATILEWP.COM